

Unique LED light fixtures for

WATERSCAPES

GREENSCAPES

HARDSCAPES

A product by:

Tortue LED

#37, 1st 'B' Cross, Bhavani Layout,
Banagirinagar, BSK 3rd Stage,
Bangalore - 560 085.

Office : +91 80 26796911

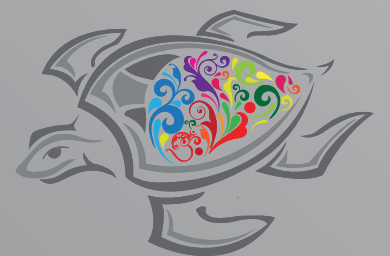
Personel : +91 9845079502

E-mail : info@tortueled.com

www.tortueled.com



Scan to visit our website



TORTUE LED

We LED you to light



ABOUT US:

Being the premier manufacturers of finest quality LED light fixtures based for landscapes. Categorized under waterscapes, greenscapes and hardscapes in India. These Tri-Series are been sculptured by Tortue LED to provide solutions for lighting using the latest technology of LEDs, where the user not only has brighter colorful these triscapes but also saves huge energy to illuminate when compared to conventional monotonous lights.

Salient Features :

- All products are engineeringly designed manufactured with 304 (non magnetic) stainless steel for long life and durability .
- First of its kind in underwater fixtures with sleek models, with less than 12mm in thickness with IP-68 grade.
- Using quality imported LED's for longer life, and actual power consumption.
- Each product is designed and manufactured with well Experienced professionals and tested with quality control.
- Only company to concentrate specific landscape and underwater fixtures that with competitive pricing.
- Custom design for large quantity.
- Quality Power supply drivers available with multiples of 5 amps or customized.
- Comes with 5 years warranty on LED fixtures.

www.tortueled.com

LEDs produce less heat, so your water consumption will be much lower. This is also the reason, why your pumps, fans, air conditioning system are briefly said, all your growing devices must work less.

Larger LUX – effect. Because of less heat LEDs can be adjusted in a short distance over the plants. Thus... small distance, results a larger density of light!

LEDs use approx. 75% less energy than sodium lamps, with same result.

Why green plants mainly absorb within the red and blue range of the visible lighting, its easily explained:

Plants can use only certain wave bands, from the spectrum of the visible light, for photosynthesis. Sunlight accommodates all colours but the blue and red part is relatively higher.

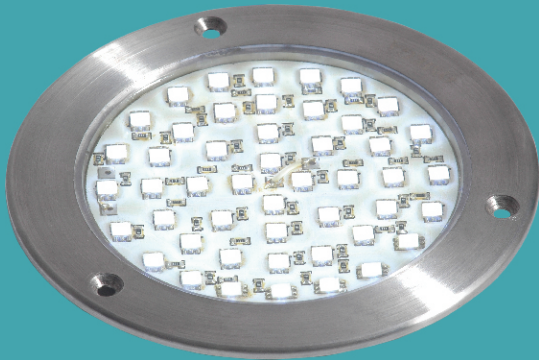
Red or blue light?

Plants need both colours. Only both wavelengths provide a good root formation and a healthy spreading and length growth. The high-energy blue light is for young plants thus in the growth phase very important and red is essential for the flowering phase. The best mixing proportion depends on the kind of plant. Parsley e.g. loves a high blue part (approx. 90%). The holy plant of the hindus however, loves one red-blue portion of approx. 5:1 and many garden plants feels with a relation ratio of 8:1 well. That blue portion can vary depending upon plant and growth requirements between 1% and 20%.



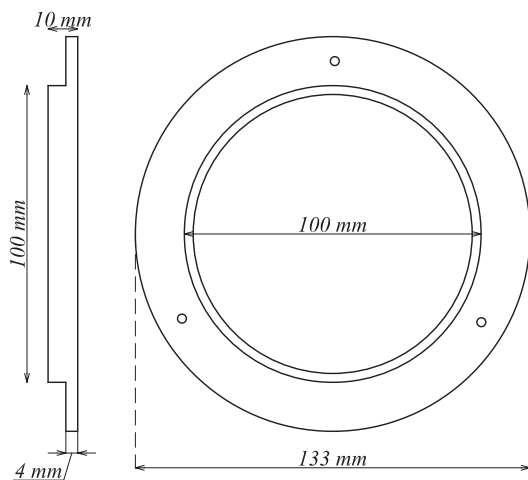
WaterScapes





LED S.S. Under Water Light

Code	: UW - 12
Specification	: 12 V DC only
Rating	: 12 watts
Material	: Stainless steel (304)
Application	: Swimming pools, Water bodies, etc.
Grade	: IP - 68
Colour	: White / Warm



Advantage of LED

What are the advantages of LED lighting ?

LED lighting is a type of lighting that offers a number of advantages over traditional lighting options such as incandescent light bulbs and fluorescent bulbs. LED lights use a series of light-emitting diodes to produce light. Power consumption, lifespan and durability are some of the areas in which LED lighting is better than other lighting options.

Power Use

When compared to other types of lighting options such as incandescent bulbs and CFL (compact fluorescent lights), LED lighting uses far less energy. The power consumption of an LED bulb is around 6 watts of power, with around 360 kilowatt hours of electricity being used over the lifespan of the bulb.

Compared with a 60 watt light bulb, LED bulbs use a tenth of the energy, with incandescent lamps using 3,600 kilowatt hours over the same time period of 60,000 hours. CFL lights fall somewhere in between but still use more than double the amount of energy of LED.

Time frame

LED lights are known for their extremely long lifespan. An average LED bulb can last up to 60,000 hours of use, compared with 1,500 hours of use for a 60-watt incandescent light bulb. You would have to replace a standard light bulb about 40 times to equal 60,000 hours of use.

Durability and safety

LED light bulbs use small diodes that are more durable than traditional light bulbs. Traditional light bulbs can crack or shatter easily when dropped or banged, but LED light bulbs may withstand impact better. Another consideration is that LED bulbs do not contain potentially harmful gases or chemicals. Incandescent bulbs can contain mercury halogen, xenon or krypton while CFL bulbs can contain mercury, which is a neurotoxin.

Effects

One advantage of LED lights is their ability to produce directional light. Basically, wherever it is pointed, a steady beam of direct light up the area. LEDs also come in a wide range of colors including white, cyan, blue and red. The color of the light can improve brightness or be used in certain applications (such as red being useful for night vision), or can simply have aesthetic appeal.

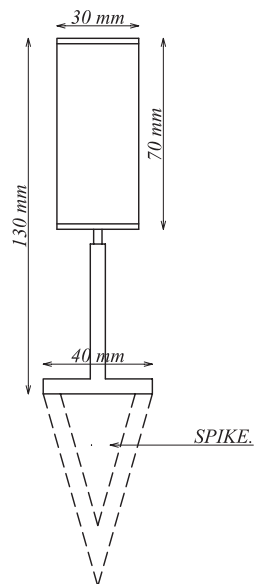
The Advantages of LED grow light is clearly obvious. Each home grower who illuminates his plants with conventional sodium/ HID lamps, only has to look at his electricity bill. Most of lamps use 400 to 600w and mostly they need more than one of them.

GreenScapes

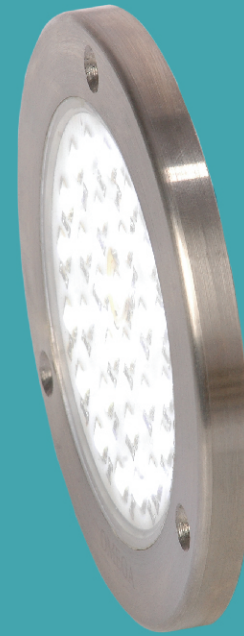


LED Grow Light

Code : GL - 05
Specification : 12 V - with driver
Rating : 5 watts
Material : Stainless steel (304)
Application : Grow light
Grade : IP - 65
Colour : Blue & Red

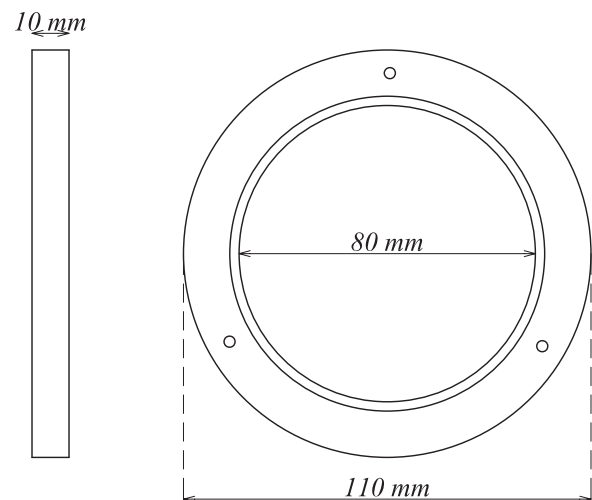


WaterScapes



LED S.S. Under Water Light

Code : UW - 06
Specification : 12 V DC only
Rating : 6 watts
Material : Stainless steel (304)
Application : Swimming pools, Water bodies, etc
Grade : IP - 68
Colour : White / Warm

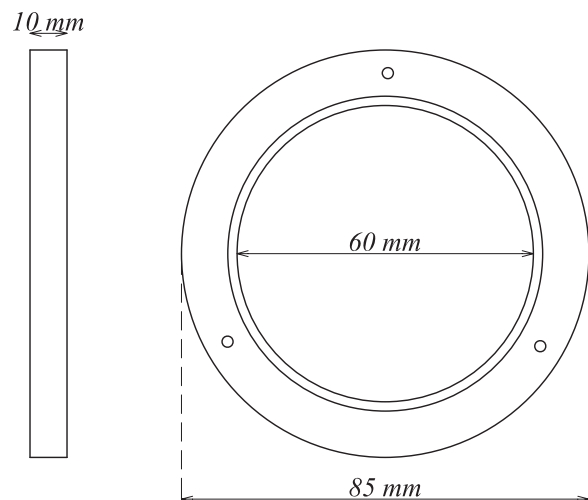


WaterScapes



LED S.S. Under Water Light

Code : UW - 04
Specification : 12 V DC only
Rating : 4 watts
Material : Stainless steel (304)
Application : Swimming pools, Water bodies, etc.
Grade : IP - 68
Colour : White / Warm

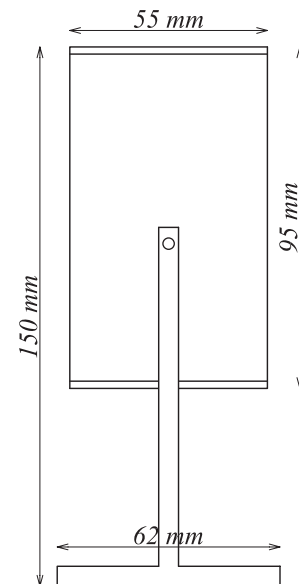


GreenScapes



LED Tree Uplighter

Code : TU - 18
Specification : 32 V - with driver
Rating : 18 watts
Material : Stainless steel (304)
Application : Tree uplighter, Focus lights
Grade : IP- 65
Colour : White & Warm

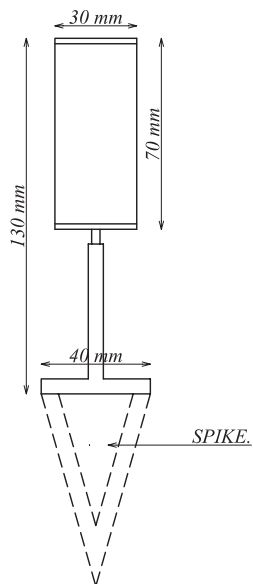


GreenScapes

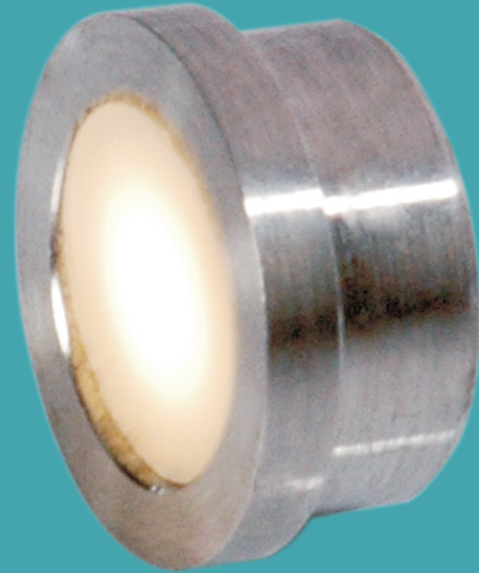


LED Tree Uplighter

Code : TU - 09
Specification : 12 V - with driver
Rating : 9 watts
Material : Stainless steel (304)
Application : Tree uplighter, Focus lights
Grade : IP - 65
Colour : White & Warm

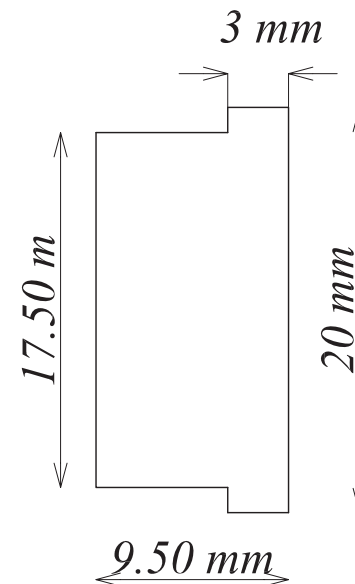


WaterScapes



LED Button

Code : BUT - 01
Specification : 12 V - DC only
Rating : 0.5 watts
Material : Stainless steel (304)
Application : Water body, Swimming pools
Grade : IP - 68
Colour : White & Warm

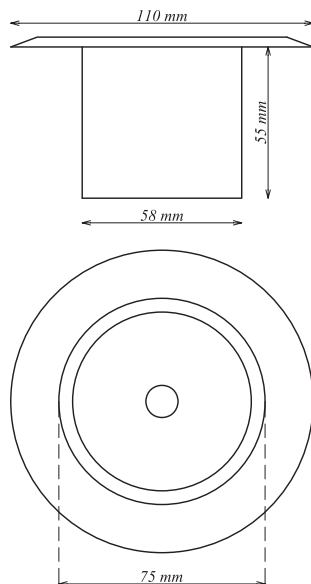


WaterScapes



LED Inlet Rings

Code : IN - 03
Specification : 12 V (D.C. only)
Rating : 3 watts
Material : ABS plastic
Application : Water body, Swimming pools
Grade : IP - 68
Colour : White, Warm, Blue, Red

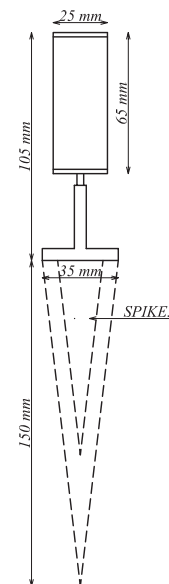


GreenScapes



LED Plant Uplighter

Code : PU - 03
Specification : 12V - with driver
Rating : 3 Watts
Material : Stainless steel (304)
Application : Plant uplighter, Focus lights
Grade : IP - 65
Colour : White & warm





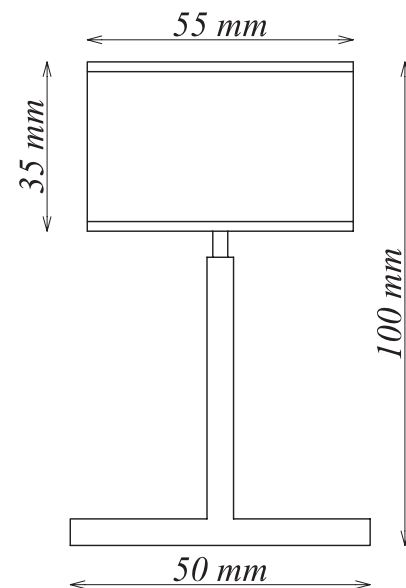
GreenScapes



WaterScapes

LED Fountain Light

Code	: FL - 18
Specification	: 32 Volts (DC only)
Rating	: 7 - 21 Watts
Material	: Stainless steel (304)
Application	: Water Bodies, Fountain
Grade	: IP - 68
Colour	: RGB

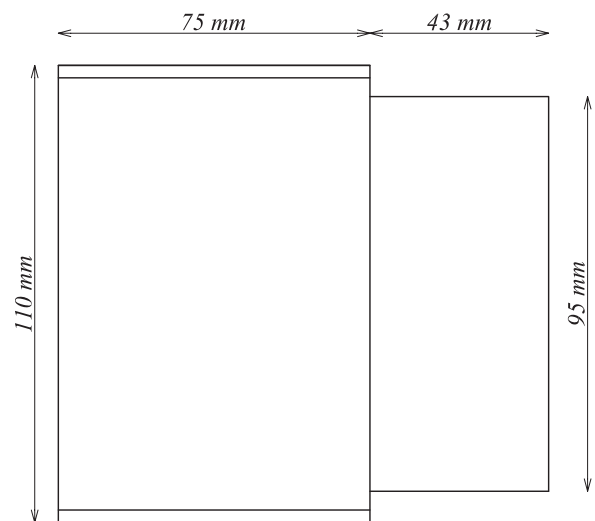




HardScape

LED Wall Washer

Code : WW - 18
Specification : 32 V - with driver
Rating : 18 watts
Material : Stainless steel (304)
Application : Wall high-lighter
Grade : IP - 65
Colour : White & Warm

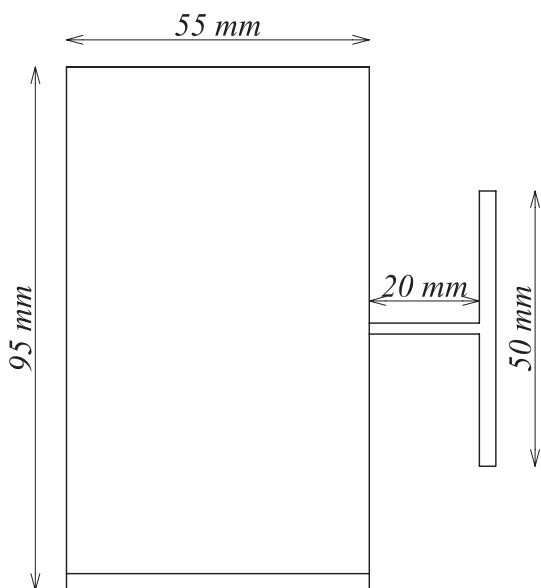


HardScape



LED Wall Washer

Code : WW - 09
Specification : 12 V - with driver
Rating : 9 watts
Material : Stainless steel (304)
Application : Wall high-lighter
Grade : IP - 65
Colour : White & Warm



HardScapes



WaterScapes/HardScapes



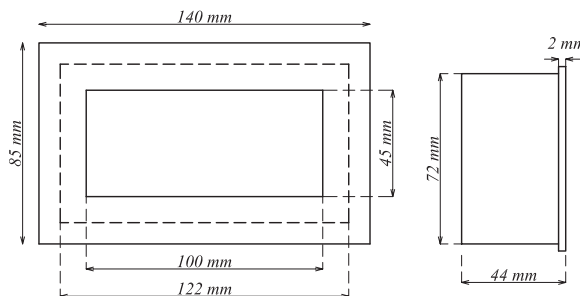
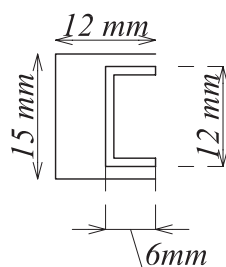
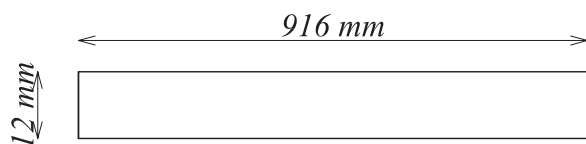
HardScapes

LED Strip Light

Code : SL - 05
Specification : 12 V (DC only)
Rating : 5 Watts / Meter
Material : Stainless steel (304)
Application : Coping, below steps, Swimming pool
Grade : IP - 68
Colour : White, Warm & Blue

LED Recessed Wall Light

Code : RW - 03
Specification : 12 V - With Driver
Rating : 3 - 6 Watts
Material : M.S. with S.S. Surround
Application : Foot light, Steps
Grade : IP - 65
Colour : White & Warm



HardScapes

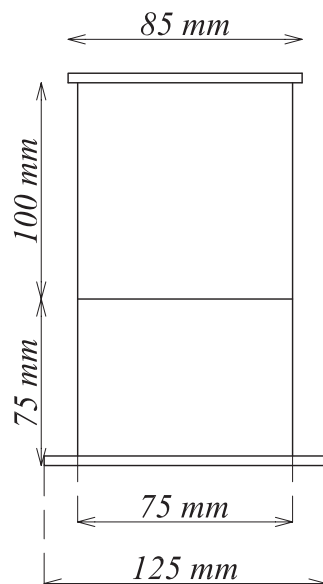


HardScapes



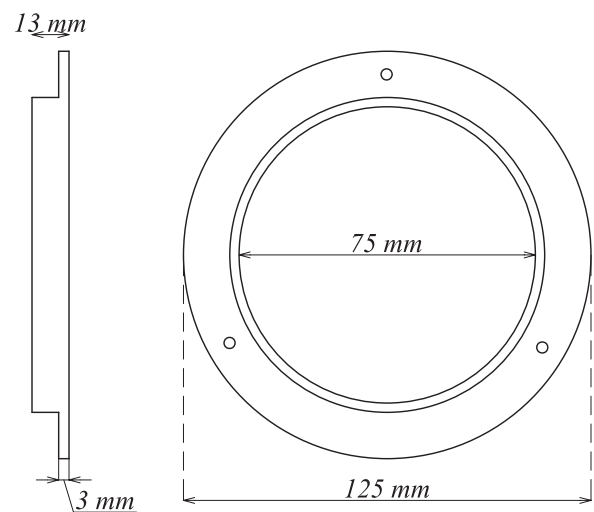
LED Lantern

Code : BL - 03
Specification : 12 V - with driver
Rating : 3 Watts
Material : Stainless steel (304)
Application : Pillar post, compound wall
Grade : IP - 65
Colour : White & Warm



LED S.S. Drive Over Light

Code : DO - 06
Specification : 12 V DC only
Rating : 6 watts
Material : Stainless steel (304)
Application : Drive ways, Path ways, etc.
Grade : IP - 68
Colour : White / Warm



HardScapes

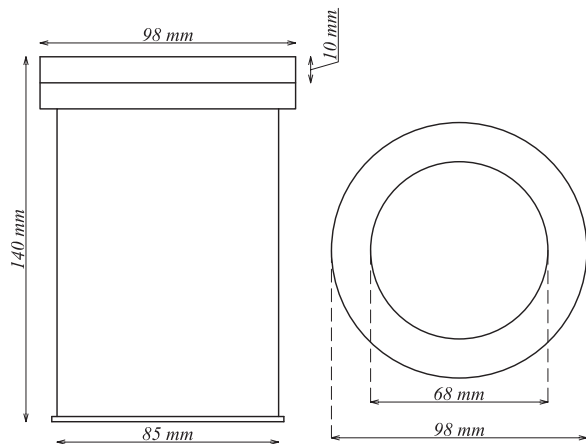


HardScapes



LED Wall Washer Burial

Code : WWB - 09
Specification : 12 V - with drive
Rating : 9 watts
Material : Stainless steel with plastic
Application : Wall high-lighter
Grade : IP - 65
Colour : White & Warm



LED Bollard

Code : BO - 03
Specification : 12 V - with driver
Rating : 3 Watts
Material : Stainless steel (304)
Application : Pathways, Garden
Grade : IP - 65
Colour : White & Warm

